

& Socket pins & Plug pins for vacuum environment

Available in vacuum environment by adopting difficult-to-cut materials.

Made of low outgassing material.

Can mate with hermetic connector.

Socket pins and plug pins are needed to connect with wire, before inserting into housing.

Specifications

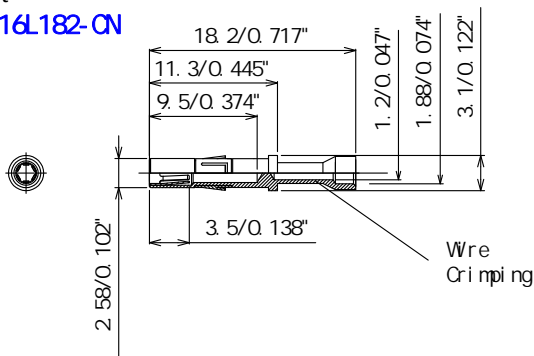
Operating Temperature : -55 +150

Materials

- Sleeve : Beryllium Copper (C1720), Gold over Ni plated
- Lower : Beryllium Copper (C1720), Gold over Ni plated
- Contact : Beryllium Copper (C1720), Gold over Ni plated
- Ring : Stainless steel (SUS304)

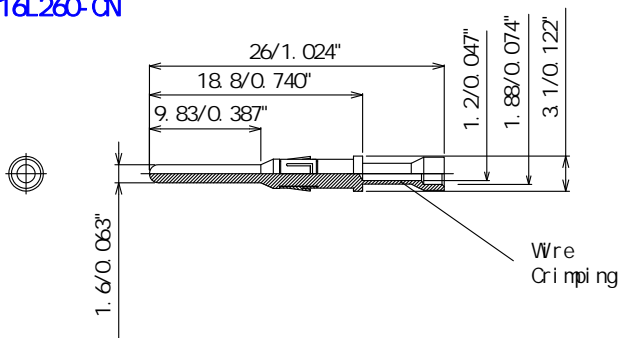
Acceptable Plug : 1.6/0.063" Current Rating : 13A(AVG20)

**Socket
VJS-F16L182-CN**



(S-02)

**Plug
VJP-F16L260-CN**



Wire	
AVG#20	#22
0.3mm ²	0.5mm ²

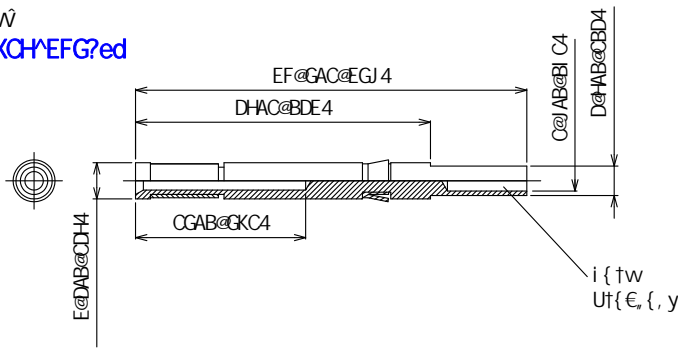


PEEK.

Housings are made of PEEK, PTFE or ceramic.
We accept special orders of housing design and manufacturing.

2Suuw^st-v2b-%2L2 C@HAB@BHE4222U%#tw^2ds^,{,y2L2CES

efu}w
h\ve?XCH^EFG?ed



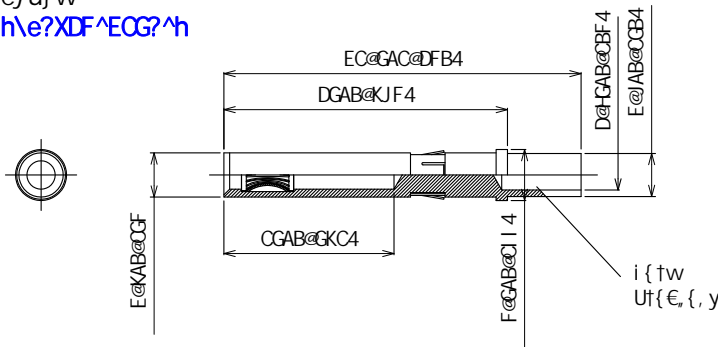
ãl xuoû 2_[]^ _eôâû2S_eECBH2

S,,-{vw2zf%k{,y2uf,xft€t2^2t,wu2_e2uf,,wu^f12S_eECBH@
b-vs1v2uf,^su^2%k2xf12€ftv2vw{s{-@

2i {tw
Si Y5CH2220@DGeE ^D

2Suuw^st-v2b-%2L2 D@FAB@BKF222U%#tw^2ds^,{,y2L2DES

efu}w
h\ve?XDF^ECG?^h



2i {tw
Si Y5CF222DGeE ^D

Ud[_b
b-vs1v2uf,t% 2%k2stf%a2Ut{€,{,y2ff-@

Ut{€,{,y2ff->F2,f{,^ <u>DDGBAC?BC</u>
Ut{€,{,y2ff->F2,f{,^ <u>DDGBAD?BC</u>

æiø
b-vs1v2uf,t% 2%k2stf%a2b{,2dv€fSs-2f ff-@2

æiø
Ut{€,{,y2ff-2{t2,www@

22k,f%k2^f s-2ust-{,y2s+tw€t^-2ftvwt2{+2s-tf2 w-uf€w@
NØi
22b-vs1v2uf,^su^2%k2{x2 f%2 vvw2uf% f€{ s {f, 2, 2^ vt€t@