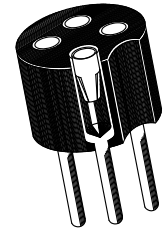


レーザーダイオード用ソケット Laser Diode Socket



丸ピンソケット構造 Round Socket pin type

●T0-18, T0-46, T0-52, T0-72等のパッケージに対応。
Suitable for packages including T0-18, T0-46, T0-52, T0-72.
(一部形状によって御使用頂けない場合がございます。
Some package might not be usable. Please call us)

Specifications

Dielectric Strength: AC500Vrms 1min
Insulation Resistance: 500MΩmin
Contact Resistance: 15mΩ max
Current rating : 1.0A
Operating Temperature: -45℃～+150℃

Material


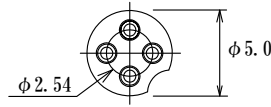

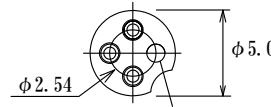
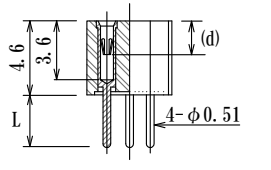
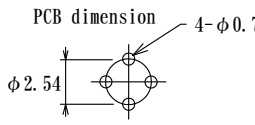
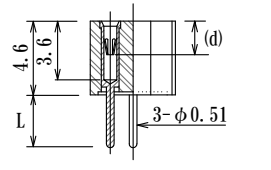
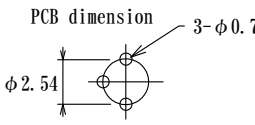
Sleeve : Brass, Gold plating over Ni
Contact : Beryllium, Gold plating over Ni
Insulator: PPS or LCP Black


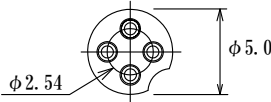

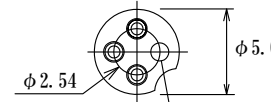
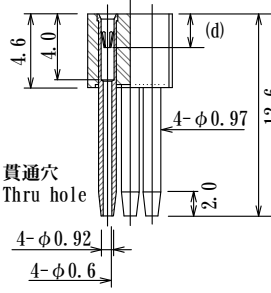
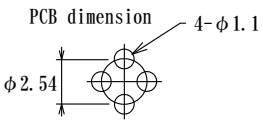
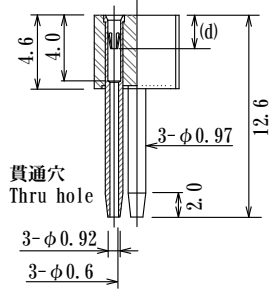
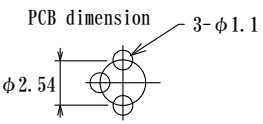
適合リード寸法 Acceptable lead dia. $\phi 0.42/0.0165'' \sim \phi 0.48/0.0189''$

2.54mm pitch circle

P/N	L	d	Remarks	P/N	L	d	Remarks
LD254-4P-30	3.0	2.0	N0010-GG	LD254-3P-30	3.0	2.0	N0010-GG
LD254-4P-24	2.4		N0012-GG	LD254-3P-24	2.4		N0012-GG
LD254-4P-30-NV8	3.0	2.2	NNV80010-GG / Low force type	LD254-3P-30-NV8	3.0	2.2	NNV80010-GG / Low force type
LD254-4P-24-NV8	2.4		NNV80012-GG / Low force type	LD254-3P-24-NV8	2.4		NNV80012-GG / Low force type

P/N	d	Remarks	P/N	d	Remarks
LD254-4P-NSP126-GG	2.0	NSP126-GG	LD254-3P-NSP126-GG	2.0	NSP126-GG
LD254-4P-NSPNV8126	2.2	NSPNV8126-GG/ Low force type	LD254-3P-NSPNV8126	2.2	NSPNV8126-GG/ Low force type

4Pin		3Pin	
			
			


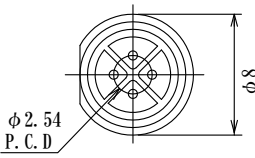
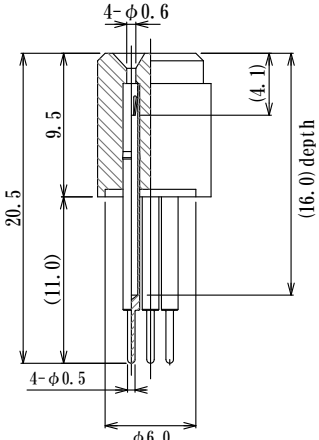
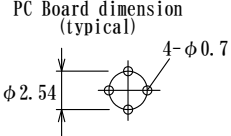
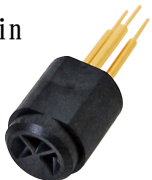
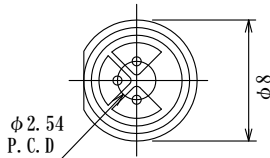
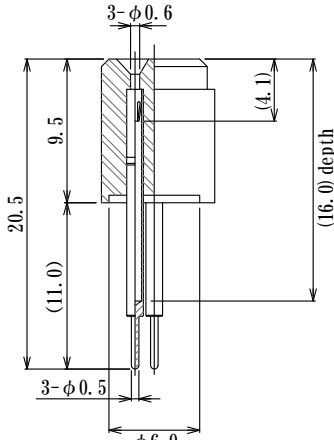
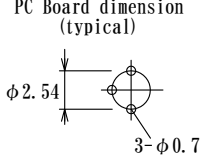

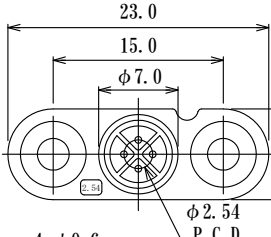
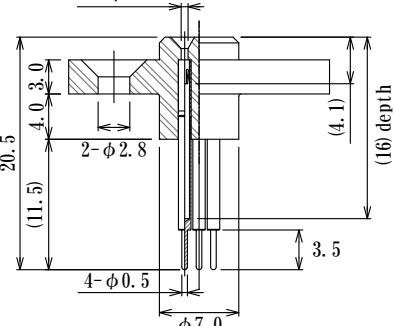
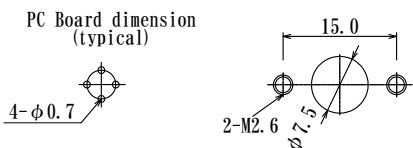

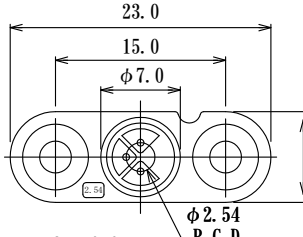
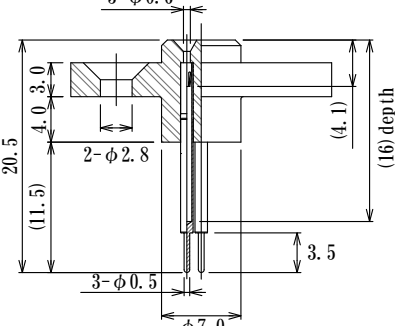
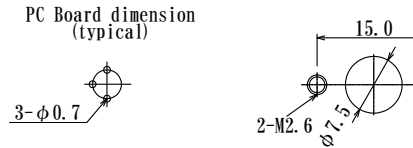
4Pin		3Pin	
			
			

レーザーダイオード用ソケット
Laser Diode Socket

●T0-18, T0-46, T0-52, T0-72等のパッケージに対応。
Suitable for packages including T0-18, T0-46, T0-52, T0-72.
(一部形状によって御使用頂けない場合がございます。
Some package might not be usable. Please call us)

適合リード寸法 Acceptable lead dia. $\phi 0.42/0.0165'' \sim \phi 0.48/0.0189''$

2.54mm pitch circle

P/N	Remarks	P/N	Remarks
LD254P-4P-F8	N88R150L185-GG / Low force type	LD254P-3P-F8	N88R150L185-GG / Low force type
<p>4pin</p>    <p>PC Board dimension (typical)</p> 	<p>3pin</p>    <p>PC Board dimension (typical)</p> 		
P/N	Remarks	P/N	Remarks
LD254P-4P-F7/M26	N88R150L185-GG / Low force type	LD254P-3P-F7/M26	N88R150L185-GG / Low force type
<p>4pin</p>   <p>Flange type</p>  <p>Mounting Dimension</p> 	<p>3pin</p>   <p>Flange type</p>  <p>Mounting Dimension</p> 		

レーザーダイオード用ソケット Laser Diode Socket

丸ピンソケット構造 Round Socket pin type

Specifications (Typical example)

Dielectric Strength: AC500V RMS 1min
 Insulation Resistance: 500M Ω min
 Contact Resistance: 15m Ω max
 Current rating : 1.0 A
 Operating Temperature: -55 $^{\circ}$ C~+150 $^{\circ}$ C
 (In case of Gold plating Contact)

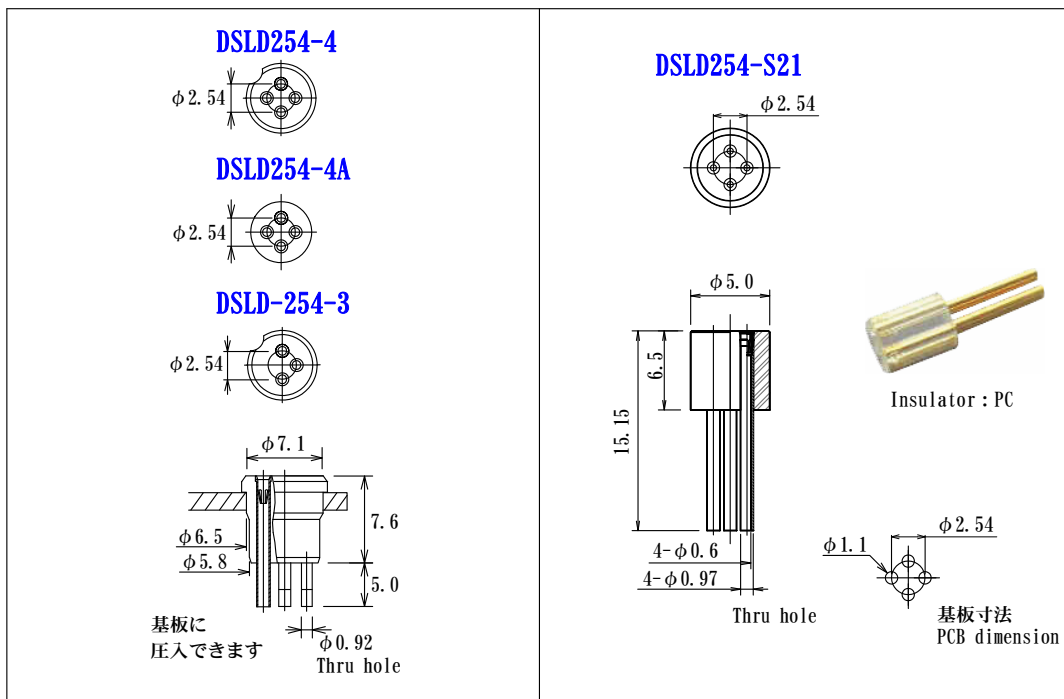
Material

Sleeve : Brass, Tin plating over Ni
 Contact : Beryllium, Gold plating over Ni
 Insulator: Teflon PC etc

2.54mm pitch circle

適合リード寸法 Acceptable lead dia. $\phi 0.42/0.0165'' \sim \phi 0.48/0.0189''$

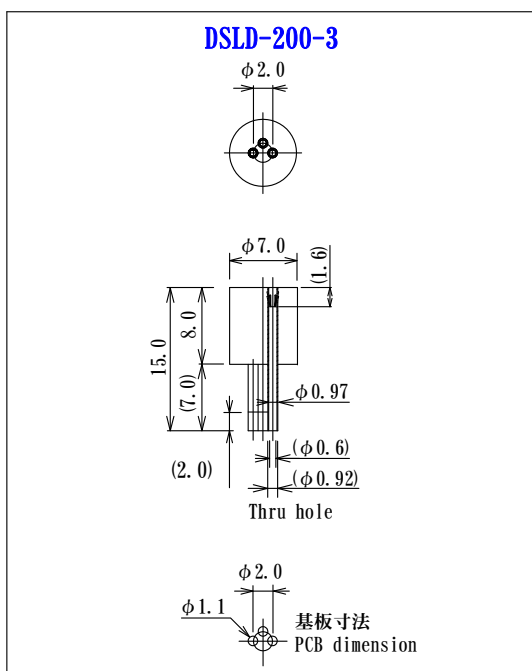
●T0-18, T0-46, T0-52, T0-72等のパッケージに対応。
 Suitable for packages including T0-18, T0-46, T0-52, T0-72.
 (一部形状によって御使用頂けない場合がございます。
 Some package might not be usable. Please call us)



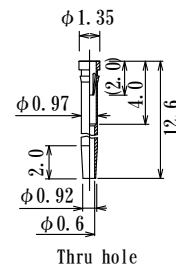
2.0mm pitch circle

適合リード寸法 Acceptable lead dia. $\phi 0.42/0.0165'' \sim \phi 0.48/0.0189''$

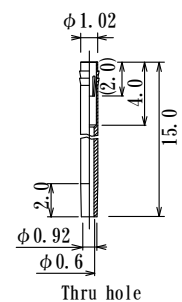
使用ソケットピン (参考)



NSP126-GG



NZP10-GG



カスタムケーブル付例
Custom order Cable