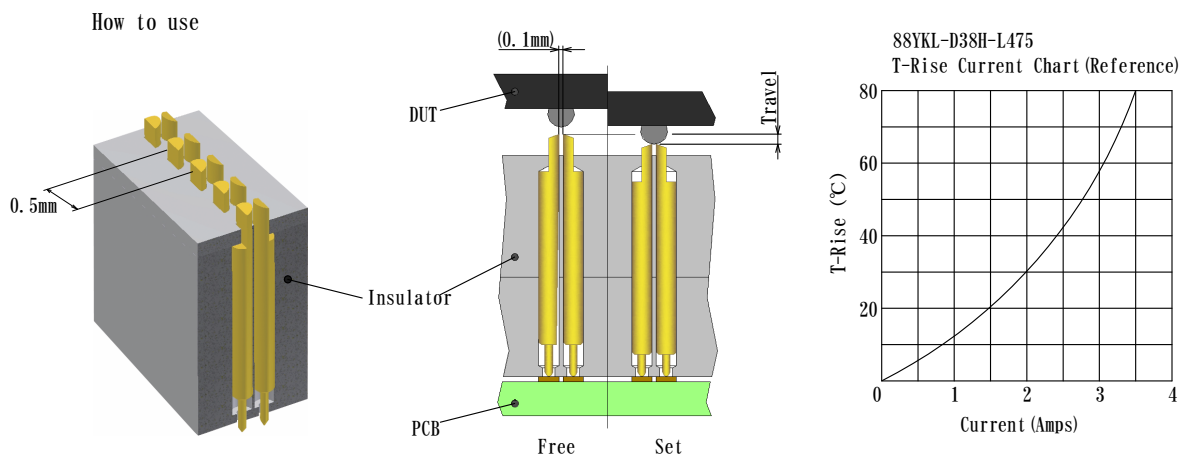


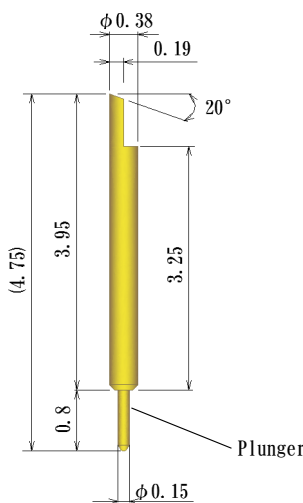
## Kelvin type Probe Pins ケルビンプローブピン 88YKL series

一般に測定する値が低抵抗測定の場合、普通は無視してよい接触抵抗を含んでしまい、これが誤差となって正確な測定ができません。  
より精密な抵抗値測定が高まっている中、このプローブピン2本を同じ接点にコンタクトすることにより、電流と電圧を別々に測定する4端子測定を可能にしています。

Generally, when the value of measurement is low resistance, including the contact resistance which may usually be disregarded, this serves as an error and it cannot perform exact measurement. While more precise resistance measurement request is increasing, 4 poles measurement which measures current and voltage separately is enabled by contacting the same point of contact in these 2 probe pins.

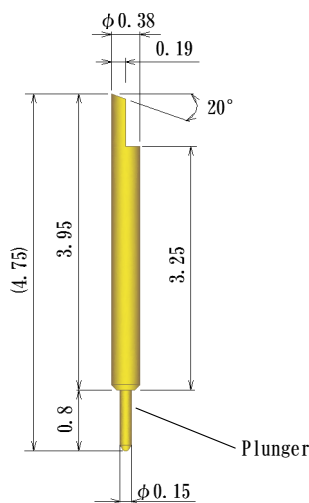


High Temperature spec  
-40°C~+150°C



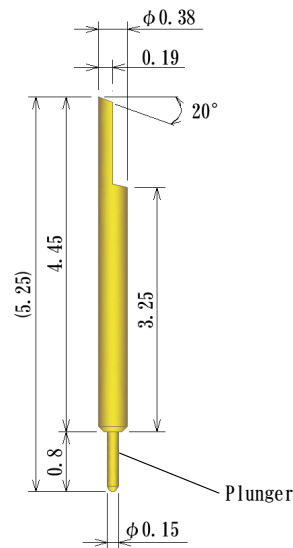
Preload 0.083N (8.5gf)  
0.275N (28gf) at 0.45mm travel  
Full travel 0.6mm  
Current rating 1.5A

88YKL-D38H-L475



Preload 0.06N (6gf)  
0.17N (17.3gf) at 0.45mm travel  
Full travel 0.6mm  
Current rating 1.5A

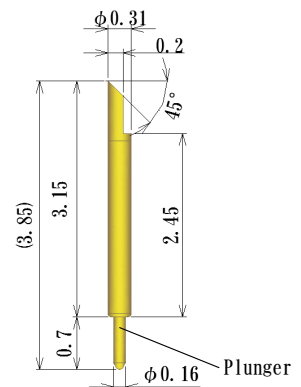
88YKL-D38H-L475-SUS



Preload 0.083N (8.5gf)  
0.275N (28gf) at 0.45mm travel  
Full travel 0.6mm  
Current rating 1.5A

88YKL-D38H-L525

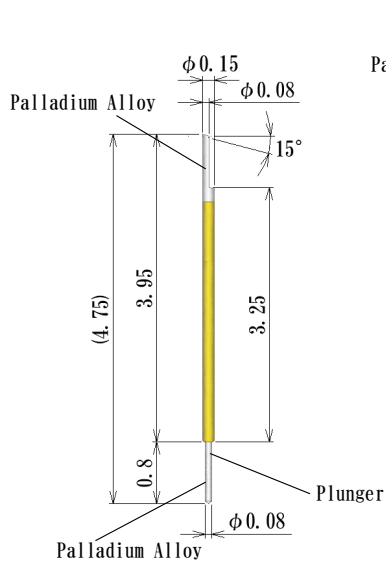
High Temperature spec  
-40°C~+150°C



Preload 0.036N (3.7gf)  
0.147N (15gf) at 0.45mm travel  
Full travel 0.6mm  
Current rating 1A

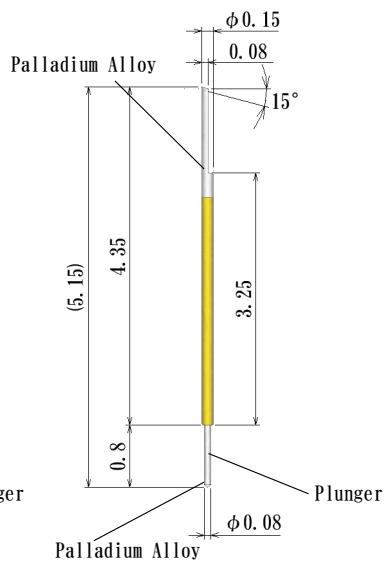
8YKL-D31H-L385-SUS

**Kelvin type Probe Pins ケルビンプローブピン**  
**88YKL series**



Preload 0.042N (4.3gf)  
 0.098N (10gf) at 0.45mm travel  
 Full travel 0.6mm  
 Current rating 0.3A

**8YKL-D15H-L475-PD**



Preload 0.042N (4.3gf)  
 0.098N (10gf) at 0.45mm travel  
 Full travel 0.6mm  
 Current rating 0.3A

**8YKL-D15H-L515-PD**