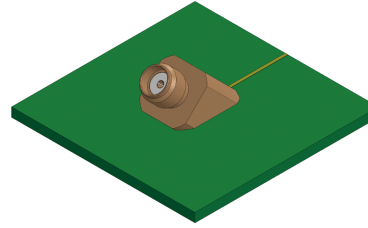


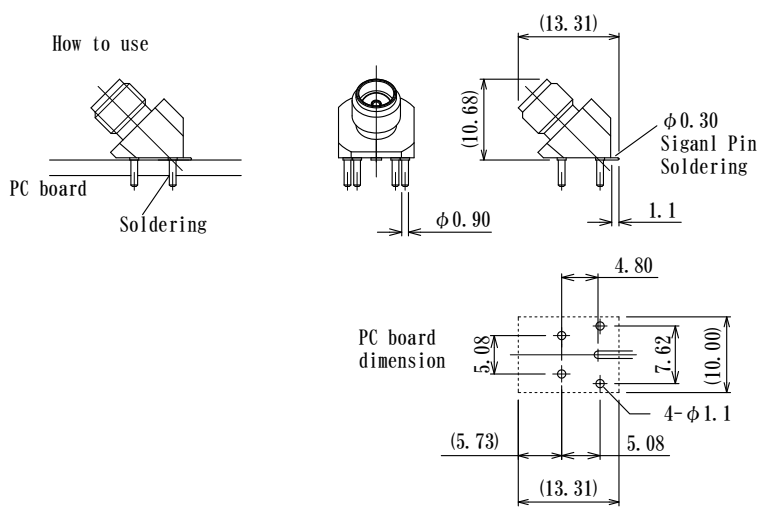
SMA Connectors, Slant type

Features

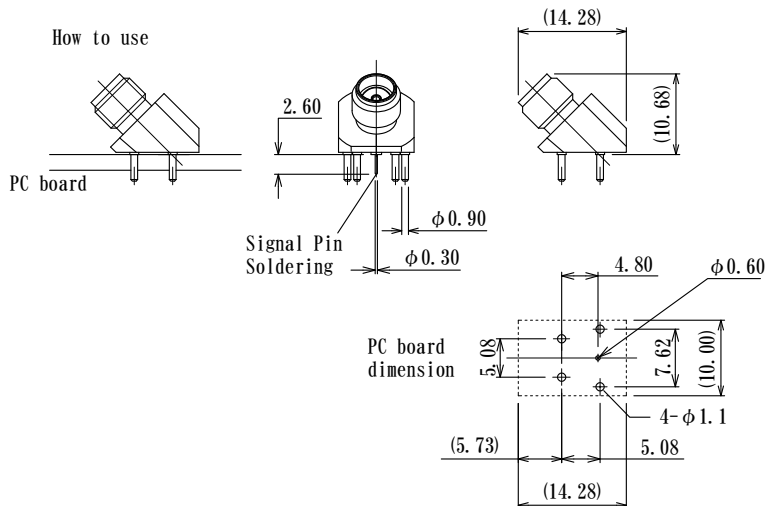
- Lower RF reflection.
- Flexible about a mount position on PC board
- Frequency : DC~5GHz



SMA-R-SLANT-SS



SMA-R-SLANT-SV



* mark product is made only upon order.