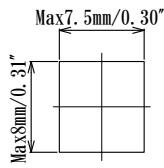
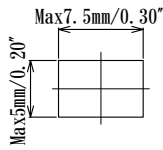


Test & Burn-In Socket, GU10 Small Clam-shell Socket Size 10x16mm / 0.39x0.63"

Acceptable device size



ソルダ・テ・イップ・タイプ
Solder dip type



高周波対応タイプ
High Frequency Response type

In the case of larger size, consult factory.
Any device on 0.30mm pitch or larger

対象デバイス
水晶振動子
MEMSデバイス
SAWデバイス
音叉振動子
半導体
電子部品



How to order for Custom design

GU10-□□□□□□□□□□

P/N will be informed after fixing specifications.

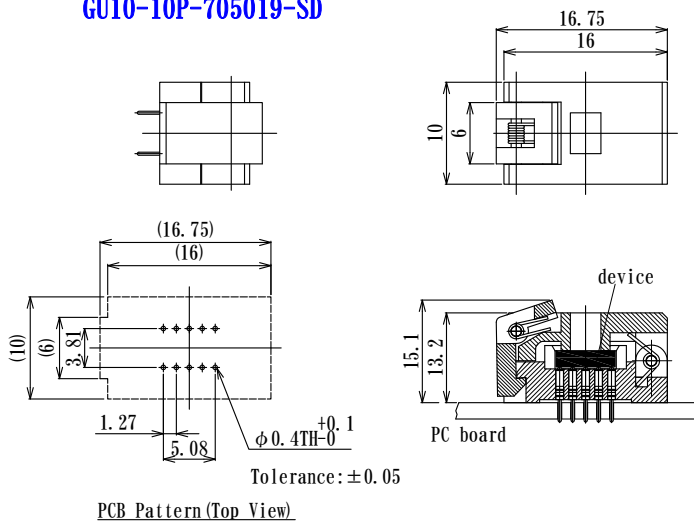
Features:

- High reliability
- Cost competitive
- Short delivery time
- Temperature
-40°C to +150°C

● ソルダ・テ・イップ・タイプ (例)

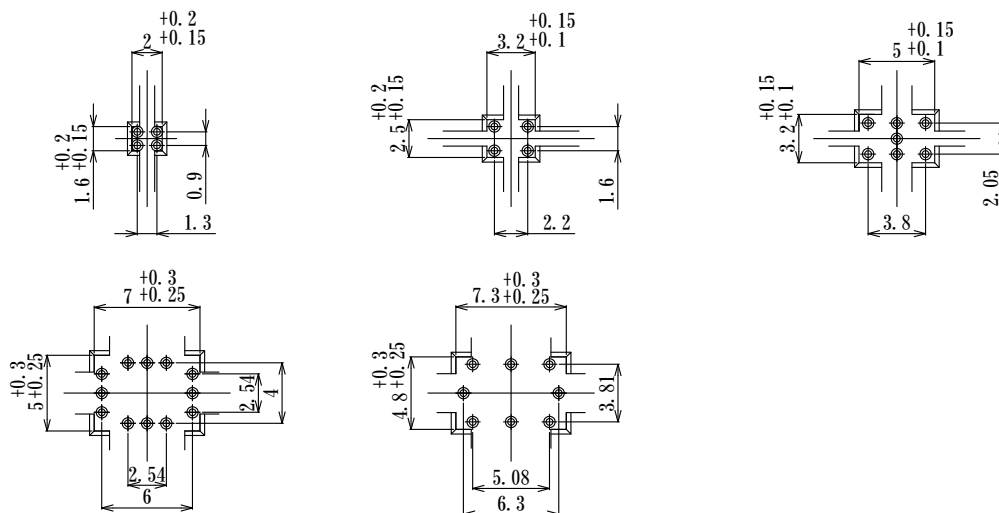
Solder dip type (example)

GU10-10P-705019-SD



デバイスの寸法、ピン配置例

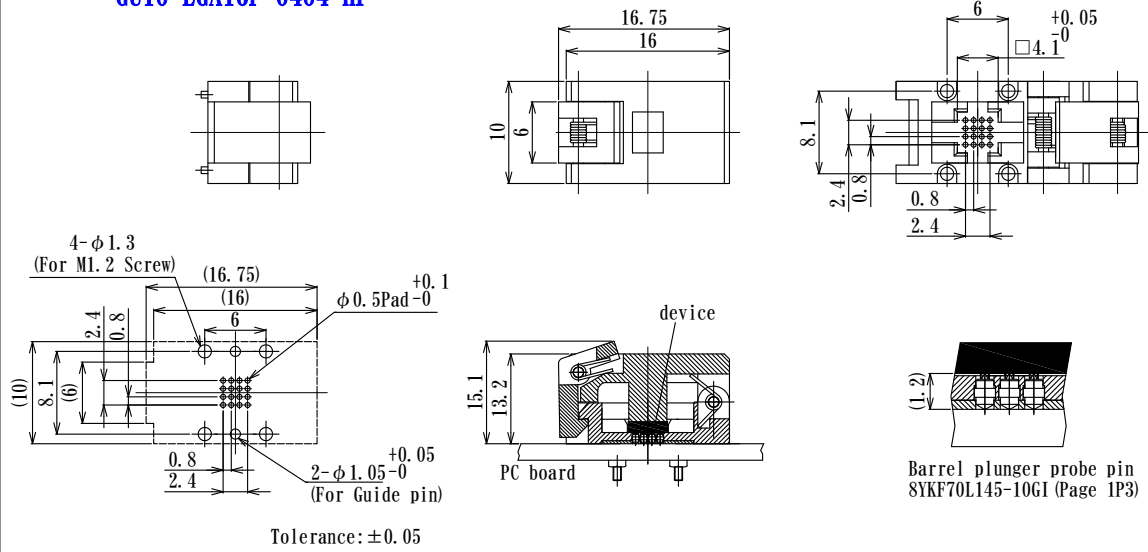
Various designs of device dimensions and pin positions. (example)



mm

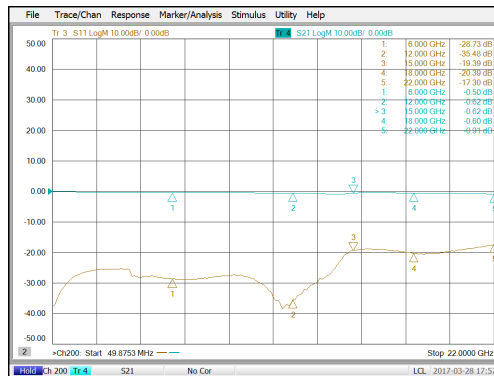
●高周波対応タイプ (例)
High Frequency Response type (example)

GU10-LGA16P-0404-HF



PCB Pattern (Top View)

Return loss ————
Insertion loss ————



Pitch: 0.8mm
Return loss (GSG) : -17.30dB@22GHz
Insertion loss (GSG) : -0.91dB@22GHz
Self inductance: 0.5nH
Capacitance: 0.25pF

