

高電流スプリングプローブ High Current Spring Probes

8Y500 Series

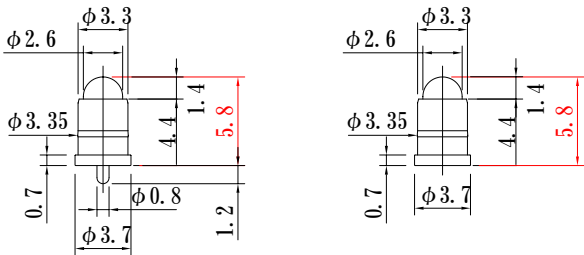
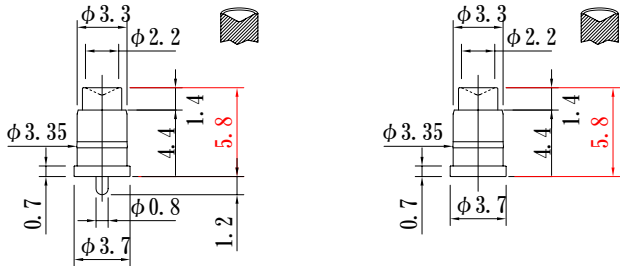
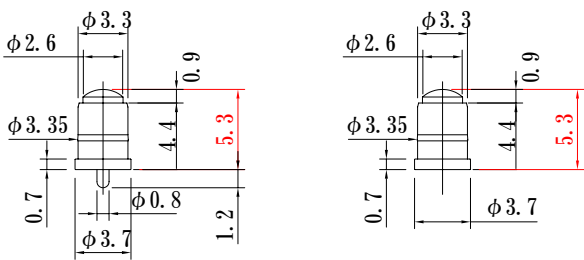

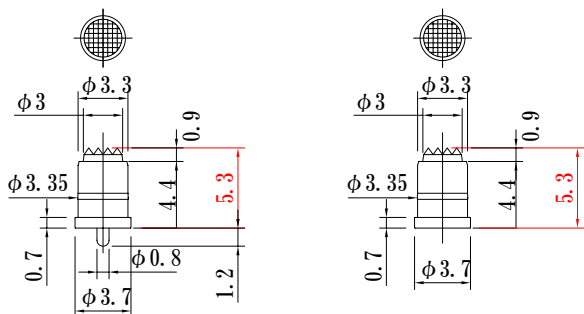

10A max
8A max

Specifications

Contact resistance : 50mΩmax *
 Current rating at 25°C : DC 10.0A *
 Durability : 500,000 cycles
 Operating temperature : -45°C~+130°C

Material

Barrel : Brass, Au, over Ni
 Plunger : Brass, Au over Ni
 or Steel Au over Ni
 Spring : Copper alloy

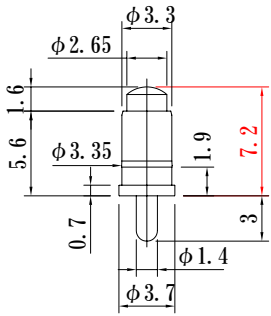
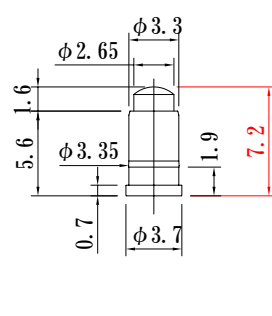
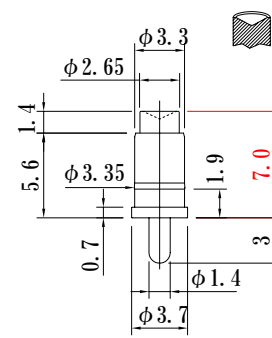
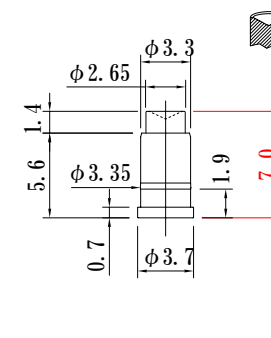
<p>Sphere type</p> <p>Full travel 1.4mm Preload 0.87N (89gf) 1.27N (130gf) at 1.0mm travel Current max 10A at 25°C</p>	<p>Concave type</p> <p>Full travel 1.4mm Preload 0.87N (89gf) 1.27N (130gf) at 1.0mm travel Current max 10A at 25°C</p>
 <p>8Y500-H58S14-SP-SD08 8Y500-H58S14-SP-SMT</p>	 <p>8Y500-H58S14-CC-SD08 8Y500-H58S14-CC-SMT</p>
<p>Sphere type</p> <p>Full travel 0.9mm Preload 1.34N (137gf) 2.06N (211gf) at 0.6mm travel Current max 10A at 25°C</p> <p>Make to order/受注生産品</p>  <p>8Y500-H53S09-SP-SD08 8Y500-H53S09-SP-SMT</p>	
<p>Crown type</p> <p>Full travel 0.9mm Preload 1.34N (137gf) 2.06N (211gf) at 0.6mm travel Current max 8A at 25°C</p>  <p>8Y500-H53S09-CR-SD08 8Y500-H53S09-CR-SMT</p>	 <p>*In case of Gold plated PCB land or Gold plated metal for the mating surface. *接触する対象が金メッキの基板、又は金メッキの金属の場合です</p>

高電流スプリングプローブ High Current Spring Probes

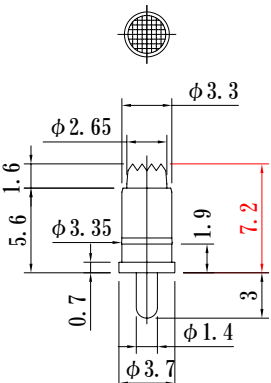
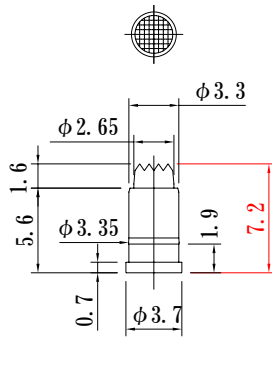
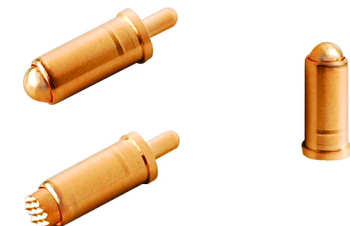
8Y500 Series

10A max
8A max

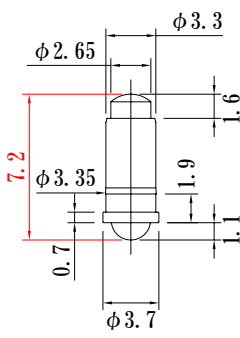
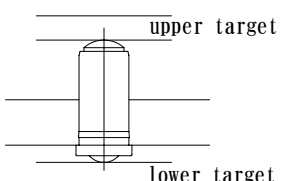
<p>Sphere type</p> <p>Full travel 1.6mm Preload 0.37N (37.3gf) 1.82N (186gf) at 1.2mm travel Current max 10A at 25°C</p>	<p>Concave type</p> <p>Full travel 1.4mm Preload 0.33N (33.9gf) 0.83N (84.7gf) at 1.0mm travel Current max 10A at 25°C</p>
---	---

<div style="display: flex; justify-content: space-around;"> <div style="text-align: center;">  <p>8Y500-H72S16-SP-SD14</p> </div> <div style="text-align: center;">  <p>8Y500-H72S16-SP-SMT</p> </div> </div>	<div style="display: flex; justify-content: space-around;"> <div style="text-align: center;">  <p>8Y500-H70S14-CC-SD08</p> </div> <div style="text-align: center;">  <p>8Y500-H70S14-CC-SMT</p> </div> </div>
---	--

<p>Crown type</p> <p>Full travel 1.6mm Preload 0.37N (37.3gf) 1.82N (186gf) at 1.2mm travel Current max 10A at 25°C</p>	
--	--

Plunger material : Copper alloy	
<div style="display: flex; justify-content: space-around;"> <div style="text-align: center;">  <p>8Y500-H72S16-CR-SD14</p> </div> <div style="text-align: center;">  <p>8Y500-H72S16-CR-SMT</p> </div> </div>	

<p>両端 Double ended Sphere type</p> <p>Full travel 2.7mm Preload 0.17N (17.0gf) 0.91N (93gf) at 1.8mm travel Current max 8A at 25°C</p>	
---	--

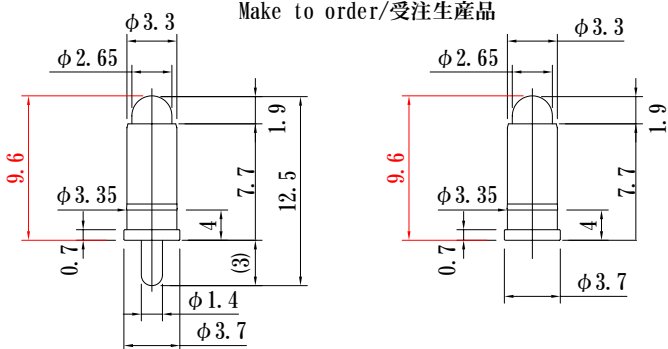
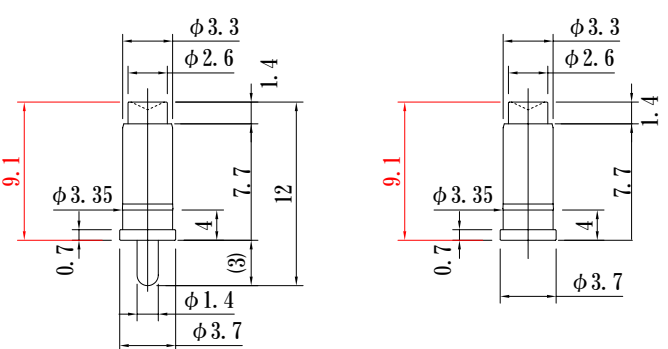
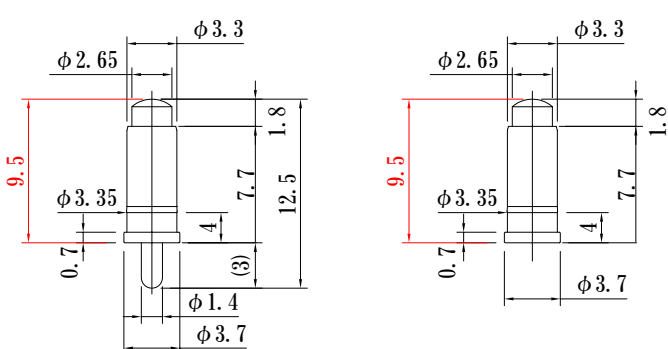
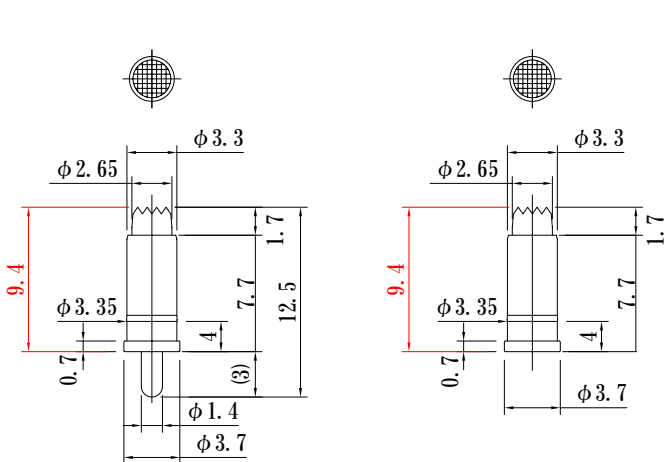

 <p>8Y500DB-H72S27-SP</p>	<p>How to use</p> 
--	---

Call us for your custom specification.

高電流スプリングプローブ High Current Spring Probes

8Y500 Series

10A max
8A max

<p>Sphere type</p> <p>Full travel 1.9mm Preload 0.37N (38.1gf) 0.78N (80gf) at 1.3mm travel Current max 10A at 25°C</p>	<p>Concave type</p> <p>Full travel 1.4mm Preload 0.61N (62.2gf) 1.82N (186gf) at 1.0mm travel Current max 10A at 25°C</p>																				
<p>Make to order/受注生産品</p>  <p>8Y500-H96S19-SP-SD 8Y500-H96S19-SP-SMT</p>	 <p>8Y500-H91S14-CC-SD14 8Y500-H91S14-CC-SMT</p>																				
<p>Sphere type</p> <p>Full travel 1.7mm Preload 0.37N (37.3gf) 1.82N (186gf) at 1.2mm travel Current max 10A at 25°C</p>																					
 <p>8Y500-H95S18-SP-SD 8Y500-H95S18-SP-SMT</p>																					
<p>Crown type</p> <p>Full travel 1.7mm Preload 0.37N (37.3gf) 1.82N (186gf) at 1.2mm travel Current max 8A at 25°C</p>																					
 <p>8Y500-H94S17-CR-SD14 8Y500-H94S17-CR-SMT</p>	<p>Spring probe assy (example)</p>  <p>Current rating table 定格電流値表</p> <table border="1"> <thead> <tr> <th>Positions</th> <th>通電極数</th> <th>Current rating</th> <th>定格電流 A</th> </tr> </thead> <tbody> <tr> <td>4</td> <td></td> <td></td> <td>8.0</td> </tr> <tr> <td>6</td> <td></td> <td></td> <td>7.5</td> </tr> <tr> <td>8</td> <td></td> <td></td> <td>7.0</td> </tr> <tr> <td>10</td> <td></td> <td></td> <td>6.5</td> </tr> </tbody> </table> <p>注1. 実装基板の導体部の定格電流の影響を受けます</p>	Positions	通電極数	Current rating	定格電流 A	4			8.0	6			7.5	8			7.0	10			6.5
Positions	通電極数	Current rating	定格電流 A																		
4			8.0																		
6			7.5																		
8			7.0																		
10			6.5																		